

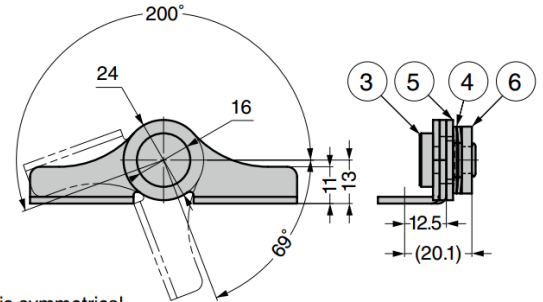
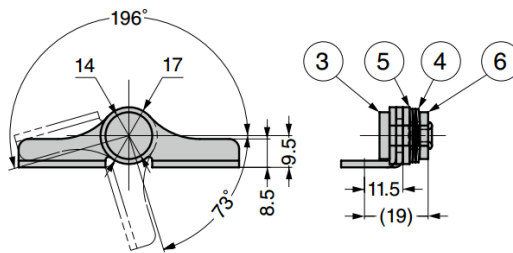
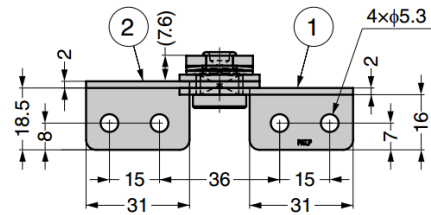
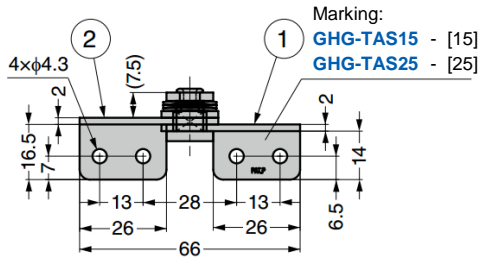
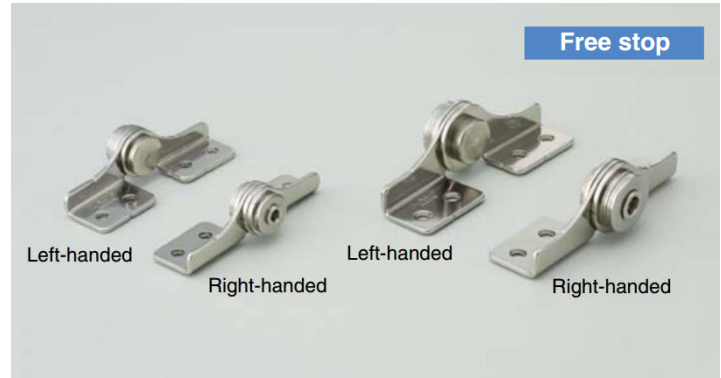
## GHG-TAS All Stainless Steel Torque Hinge

### Features

- Hinge with friction torque holds lid / door in desired position
- All stainless steel construction suitable for corrosive environments
- Suitable applications include equipment machinery, display screens, etc.

### Notes

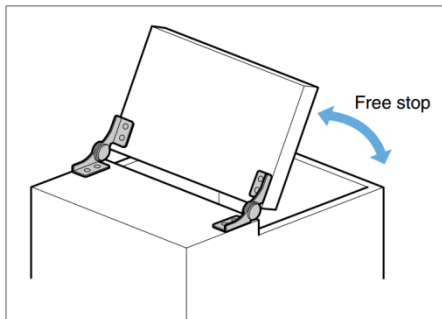
- Operating temperature: 0°C ~ 40°C
- Recommended for use in pairs, and for both hinges to be of same torque
- Ensure that both hinge shafts are levelled and aligned during installation



Left-handed type shown. Right-handed type is symmetrical.

GHG-TAS15L, GHG-TAS25L

GHG-TAS40L



No.	Part Name	Material	Finish
①	Body	Stainless Steel (SUS304)	Barrel Polished
②	Base		
③	Shaft	Stainless Steel (SUS303)	-
④	Spring Washer	Stainless Steel (SUS304)	Barrel Polished
⑤	Plate		
⑥	Washer	Stainless Steel (SUS430)	

Part No.	Type	Torque (per piece)	
GHG-TAS15R	Right	1.5 ±20% N.m	15.3 ±20% kgf.cm
GHG-TAS15L	Left		
GHG-TAS25R	Right	2.5 ±20% N.m	25.5 ±20% kgf.cm
GHG-TAS25L	Left		
GHG-TAS40R	Right	4.0 ±20% N.m	40.8 ±20% kgf.cm
GHG-TAS40L	Left		